



USER MANUAL

Руководство по эксплуатации

CIRCULAR SAW

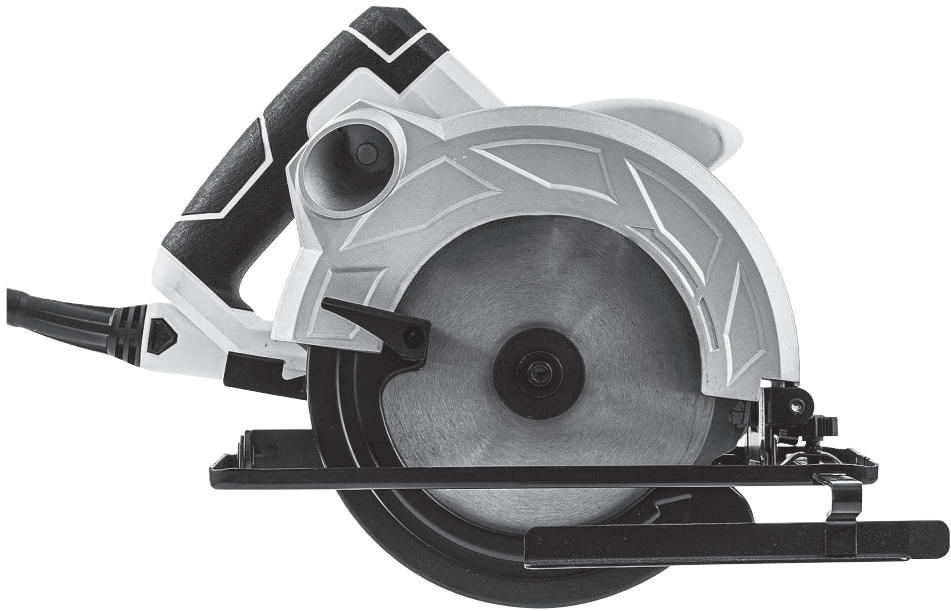
ПИЛА ЦИРКУЛЯРНАЯ

CS-165

27301

EN

RU



IMPORTANT
ВНИМАНИЕ

Read this manual before use and retain for future reference.

Прочитайте данное руководство перед эксплуатацией устройства и сохраните его для дальнейшего использования.

The date of manufacture is indicated on the product.

Дата изготовления указана на изделии.

CONTENT

EN

SAFETY WARNINGS	3
PROPER USAGE AND GENERAL INFORMATION.....	3
ACCESSORIES	3
SPECIFICATIONS.....	3
GENERAL SAFETY INSTRUCTIONS FOR ELECTRIC TOOLS.....	4
HANDLING INSTRUCTIONS	7
OPERATION.....	8
NOISE AND VIBRATION	10
MAINTENANCE	10
POSSIBLE FAULTS.....	11
RECYCLING.....	11
STORAGE	11
TRANSPORTATION.....	11
LIFE TIME.....	11
WARRANTY OBLIGATIONS	12

Dear Buyer!

This product is a technically complicated one. Study thoroughly the present manual before the first start and follow all the safety precautions strictly! The negligence of them may lead to dangerous injuries! The design of the product is under constant upgrading, that is why some changes which are not included in the present manual are possible, but they do not detract the service properties of the product.

SAFETY WARNINGS

The following definitions indicate the degree of importance of each keyword. Read through the instructions and pay attention to these symbols.

	WARNING! Indicates a potentially hazardous situation which, if not avoided, could result in injury or equipment damage.
	Electric Shock Risk!
	Flammability!
	ATTENTION! Read the manual attentively in order to reduce the risk of injury.

EN

PROPER USAGE AND GENERAL INFORMATION

Electrical circular saw (hereinafter referred to as "saw", "machine", "tool") is designed to perform longitudinal and transverse straight cuts, cuts at an angle in wood and made of wood materials.

The machine is designed for usage at the environment temperature from 0 °C to +40 °C, relative humidity not more than 80% and absence of direct exposure of atmospheric condensation and excessive air dustiness.

The machine is suitable only for private use and must be used in intermittent duty not more than 20 hours per month. It is recommended to use on-loading not more than a nominal, during 10-15 minutes and then to have a break for 20-30 minutes. This usage mode enables to complete domestic tasks effectively and prevents the tool from a premature coming out of order.

This manual contains the information and the requirements necessary and sufficient for a sure, effective and secure use of the tool.

Due to ongoing activities in order to improve the tool the manufacture reserves the right to make minor changes in its construction not mentioned in this manual and not worsening its consumer and operational properties, effective and secure use.

ACCESSORIES

Contents of delivery:

- | | |
|--|-------|
| 1. Circular Saws | 1 pc. |
| 2. Allen key | 1 pc. |
| 3. Edge guide | 1 pc. |
| 4. Saw blade for wood (installed on saw) | 1 pc. |
| 5. Instruction manual with warranty card | 1 pc. |
| 6. Box | 1 pc. |

SPECIFICATIONS

Table 1

Item No / Model	27301 / CS-165
Input power, W	1200
Disk diameter, mm	165
No-load speed, min ⁻¹	5500
Cutting depth at 90°, mm	55

Item No / Model	27301 / CS-165
Cutting depth at 45°, mm	36
Range of angular position of the base, degree	0...45
Base material	Steel
Spindle lock	+
Protection against accidental starting	+
Laser	-
Vacuum port	+
Inner diameter of disk, mm	20
The number of teeth of the disk	24
The thickness of the disk on the working part, mm	3
Voltage, V /Frequency, Hz	230 / 50
Power cable length, m	3
Degree of protection against penetration of objects and liquids	IP20
Sound pressure level (L_{pA}), dB(A)	92,7
Ambivalence of sound pressure level (L_{pA}), dB(A)	3
Sound power level (L_{wA}), dB(A)	103
Ambivalence of sound power level (L_{wA}), dB(A)	3
Vibration level (a_{v1}), m/s ²	4,7
Ambivalence of vibration level (a_{v1}), m/s ²	1,5
Degree of protection against electric shock	II
Net weight, kg	3,2
Gross weight, kg	3,6

GENERAL SAFETY INSTRUCTIONS FOR ELECTRIC TOOLS



WARNING!

Before starting work read all safety information and instructions. Failure to obey the information and instructions can lead to electric shock, fire and/or severe injury.

Keep all safety instructions for subsequent use

The term «power tool» refers to your electric (with cable) or battery power (wireless) tool in all the instructions below.

Workplace safety

- Keep the workplace clean and provide it with good light. Poor light or mess at workplace may lead to an accident.
- Do not use power tools if there is a danger of fire or explosion, for example, near flammable liquids, gas or dust. During work electric tools give up sparks, which can ignite dust or flammable vapors.
- While working with power tools do not keep close children or other people. A distraction may cause loss of control over the work.

Electrical safety

- a) A cable plug of an electric tool must match a power outlet. Never modify an electrical cable plug. Do not use connecting adapter plugs, if there is a ground wire in the power cable of the electric tool. Usage of the original cable plug and a corresponding power outlet reduces the risk of electric shock.
- b) While working with electric tool avoid physical contact with grounded objects such as pipelines, radiators, electric stoves and refrigerators. The risk of electric shock increases if your body is grounded.
- c) Do not use electric tool in the rain or in a humid environment. Water entering into the electric tool increases the risk of electric shock.
- d) Handle electrical cable with care. Never use the cable for carrying electric tool or pulling its plug out of the receptacle. Do not expose electrical cable to high temperatures and lubricants; keep it away from sharp edges and moving parts of the tool. Damaged or entangled cable increases the risk of electric shock.
- e) While working with electric tool outdoors use an extension cable intended for outdoor use. Using the cable suitable for working outdoors reduces the risk of electric shock.
- f) While working with electric tool in a humid environment use a power supply equipped with a safety protective shutdown device. The usage of this device reduces the risk of electric shock.
- g) If you need to work with power tools in a humid environment use a power source equipped with a residual current device (RCD). Using an RCD reduces the risk of electric shock.



ATTENTION!

It is recommended to use a residual current device (RCD) with response current not exceeding 30 mA.

Personal safety

- a) While working with electric tools be careful, watch what you do and use common sense. Do not use electric tool if you are tired, as well as being under the influence of alcohol or drugs lowering the reaction and other remedies. The slightest negligence may cause serious injury while working with electric tools.
- b) While working use personal protective equipment. Always wear safety glasses. Timely using of protective equipment such as: dust mask, boots with non-slip sole, safety hat or noise protection headphones, significantly reduces the risk of injury.
- c) Do not allow unintended start. Before plugging in electric tool and/or connecting it to the battery lift or move it, be sure the switch is in the "off" position. Do not carry electric tool with the trigger switch pressed and do not plug the electric tool into a power outlet if the switch is set to "on". This may lead to an accident.
- d) Before turning on the electric tool remove from it all adjusting keys or spanners. An adjusting key or spanner left fixed on the rotating part of the electric tool can cause severe injury.
- e) Work in a steady posture. Always keep your balance and a steady posture. This will allow you not to lose control when working with electric tool in an unexpected situation.
- f) Dress properly. Do not wear loose clothes or jewelry while working. Make sure your hair, clothing or gloves are at a constant distance from the rotating parts of the tool. Loose clothes, jewelry or long hair can get into the rotating parts of the tool.
- g) If the electric tool is equipped with a dust collection and removal device, make sure this device is properly connected and used. The use of a dust removal device significantly reduces the risk of an accident due to a dusty working space.

Use of electric tools and technical care

- a) Do not overload the electric tool. Use your tool for its intended purpose. The electric tool works safe and secure only if you keep to the parameters specified in its technical specifications.
- b) Do not use the electric tool if its switch cannot be set to the "on" or "off" position. Electric tool with a broken switch is dangerous and must be repaired.
- c) Unplug the electric tool from the power outlet and/or remove battery before adjusting, replacement of accessories or when storing electric tool. Such precautions reduce the risk of an accidentally turning on of the electric tool.

- d) Store unused electric tools out of the reach of children and do not let persons who are not familiar with electric tool or these instructions work with electric tools. Electric tools are dangerous in the hands of inexperienced users.
- e) Check an electric tool regularly. Check alignment accuracy and ease of movement of moving parts, integrity of parts and any other elements of the electric tool affecting its work. Do not use a broken electric tool until it is completely repaired. Most accidents are the result of insufficient maintenance of the electric tool.
- f) Watch out for sharpness and cleanness of cutting accessories. Sharp-edged accessories allow avoiding jamming and make work less tiring.
- g) Use electric tool and accessories in accordance with this manual and taking into account the working conditions and nature of future work. Misuse of the electric tool can create a hazardous situation.

Maintenance

Your electric tool must be repaired only by qualified specialists using original spare parts. This will ensure safety and reliability of your electric tool in further use.

Additional safety measures for circular saws

- a) Before starting work make sure that there are no foreign objects in the workplace.
- b) Keep hands away from the sawing area and do not touch the saw blade. Always hold the extra handle. When holding the saw with both hands, you will be protected from cutting by the saw blade.
- c) Do not hold your hands below the workpiece. The cover does not provide cut protection with the saw blade on the bottom of the workpiece.
- d) Adjust the cutting depth depending on the thickness of the workpiece. When machining, the saw blade should protrude to no more than the full height of the tooth.
- e) Never hold the workpiece in your hands or on your lap. It is necessary to fix the workpiece on a stable stand or workbench. This condition is mandatory to reduce the risk of injury when in contact with the saw blade or jamming it.
- f) When performing a longitudinal cut always use a stop or straight guide bar. This will reduce the risk of the saw blade jamming and improve the accuracy of the cut.
- g) It is necessary to use saw blades designed for this model of tool, with the corresponding outer and inner diameters. The use of different adapters leads to increased vibration, reduced quality of cutting and an increased risk of injury.
- h) Never use damaged or incorrectly fitted fasteners (screws, flanges, pressure washers, etc.) for saw blade. These elements are designed specifically for this model of saw in order to obtain optimal technical characteristics and safe operation.
- i) The tool is not intended for stationary work, there is no possibility of installation on the saw table.
- j) Do not use high speed steel saw blades. When operating the saw such discs can easily break and cause serious injury.
- k) Keep the power cord away from the rotating saw blade. If you lose control of your electric tool, the power cord may be cut or caught by a rotating tooling.
- l) Keep the engine in good condition. In case of unusual noise, the smell of burning insulation, sparks, etc. turn off the tool immediately and contact the service center.

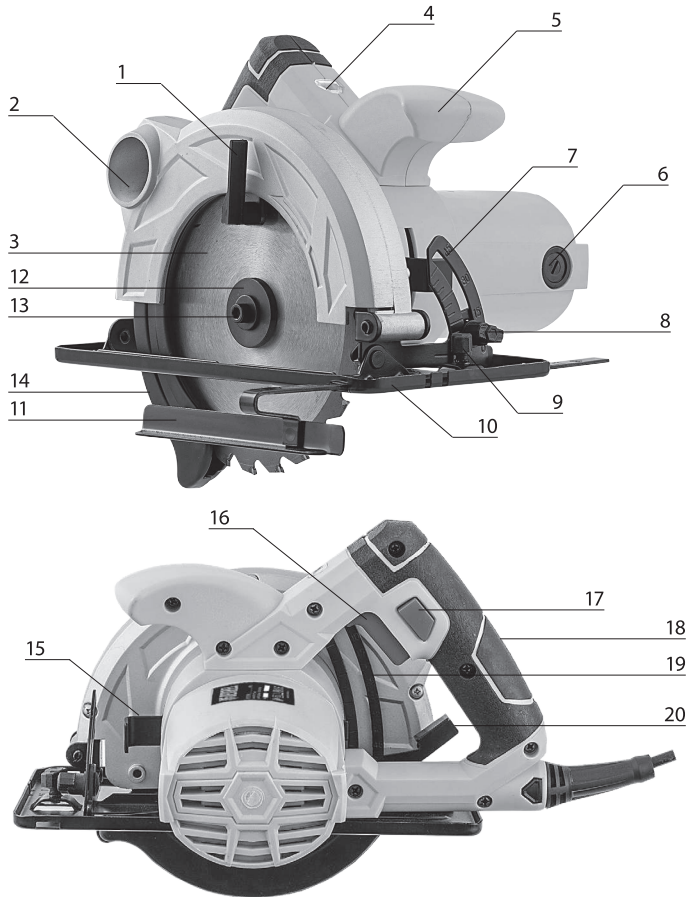
Residual risks

Despite following the relevant safety instructions and the use of safety devices some residual risks cannot be completely eliminated. These include:

- risk of pinching fingers when changing tooling;
- injuries from touching the sharp edges of the tooling;
- damage to health from exposure to vibration and noise arising at work.

HANDLING INSTRUCTIONS

General view of the tool is shown on picture 1.



EN

Pic. 1

- | | |
|-----------------------------------|-------------------------------------|
| 1. Protection handle | 11. Edge guide |
| 2. Dust extraction outlet | 12. Outer flange |
| 3. Saw blade | 13. Blade clamp bolt |
| 4. Power indicator | 14. Lower guard |
| 5. Additional handle | 15. Spindle lock button |
| 6. Carbon brush cover | 16. ON/OFF switch |
| 7. Angle gauge | 17. Lock-off button |
| 8. Lock knob for angle adjustment | 18. Main handle |
| 9. Lock knob for edge guide | 19. Depth gauge |
| 10. Base plate | 20. Lock lever for depth adjustment |

Description

The electric circular saw consists of a base, a cutting unit and a drive. The cutting unit is hinged on the base, that allows you to adjust the depth and angle of the cut. The drive of the cutting unit is an AC collector motor, located in the housing made of high-strength plastic.

To ensure safety, the machine is equipped with a movable protective cover which closes saw blade. The power indicator showing readiness to turn on the engine is available. The switch key is equipped with a lock, it reduces the risk of accidental activation.

OPERATION



ATTENTION!

Always disconnect the power cable from the electrical outlet before preparing for the operation, adjustment, maintenance of the power tool.



ATTENTION!

After transporting in winter conditions, before switching on, the machine must be kept at room temperature until the condensate is completely dry.

Circular Saw assembly

The circular saw is supplied assembled. To install the saw blade onto the saw, take the protection away with the handle 1 (pic. 1). Press the spindle lock button 15 (pic.1) and hold it. Then, using the included hex key, remove the screw 13 (pic. 1) and remove the outer flange of disk mounting 12 (pic. 1).

Install the saw blade on the inner flange so that the direction of the arrow indicating the direction of rotation on the disk, coincides with the direction of the arrow on the saw casing. Make sure the disc is installed on the flange without gap and does not move in the radial direction. Install the outer flange and secure it with a screw 13 (pic. 1), previously pressing and holding the spindle lock button.

Make a test of the saw, make sure there is no vibration.

Adjusting the depth and angle of cut

Turn the lever 20 (pic. 1) counterclockwise about its axis to adjust the depth of cut. Holding the saw by the main handle 18 (pic. 1) and focusing on the scale 19 (pic. 1) set the required cutting depth, moving down the back of the saw foot. When sawing sheet material it is recommended to set the cutting depth to the appropriate thickness of the workpiece plus 5 ... 7 mm. Fix the selected cutting depth, tightening the lever 20 (pic. 1) by turning it clockwise.

To adjust the angle of inclination turn the tilt adjustment screw 8 (pic. 1) counterclockwise and focusing on the scale 7 (pic. 1), set the desired angle of inclination by moving the support sole. Lock the selected position by tightening the screw 8 (pic. 1) turning it clockwise.

Power connection



ATTENTION!

Before power connection, ensure the integrity of the product, no external damage. Pay special attention to the reliability of the mounting of saw blade and the tightening of the screw of the disk mounting.

Make sure the power switch is in the off position.

**ATTENTION!**

The electric tools should be connected only to the single phase AC which voltage corresponds to the voltage indicated on the table of characteristics, placed on the tool housing. If the rating plate indicates the voltage of 230V, then the power tool can also be switched on to a network with a voltage of 220V.

When working outdoors use industrial extension cords intended for outdoor use. Do not use homemade extensions. When working outdoors connect power tools to the power circuit equipped with a differential automatic with a response current of not more than 30 mA, this will reduce the risk of electric shock.

When connecting ensure that the insulation of the electrical cable and the power plug of the machine is intact. Make sure the machine's power switch is in the "off" position.

This power tool can be connected to power outlets that do not have a protective ground, since it has double insulation (protection class II).

When connected to power, regardless of the position of the engine switch, the indicator 4 (pic. 1) indicating the readiness of the instrument to work should be lit.

Circular saw start**ATTENTION!**

To avoid damage to the tool make sure that the disk is not in contact with the workpiece before switching on the engine.

To turn on the saw press and hold the lock button 17 (pic. 1) then press the switch key 16 (pic.1). Consider that a jerk may occur when the engine is turned on. To turn off the engine release the switch 16 (pic. 1).

While working

- Turn on the circular saw only if there is no contact between the saw blade and the workpiece. Allow the engine to reach its maximum speed, only then smoothly cut into the material being processed, controlling the direction of the cut;
- Hold the saw straight with both hands on the handles when cutting, tightly pressing the guide sole to the surface of the material being cut. Watch for uniform feed, lack of lateral forces and disk jamming;
- When performing long straight cuts of sheet material (plywood, wood boards) it is recommended to use a parallel guide from the delivery set or a flat even object, clamped to the workpiece. This will increase the quality of the cut and reduce the risk of disc jamming.
- Remove the disc from the cut after it stops. In case of disk jamming in a cut turn off the saw and completely remove the blade from the cut. If this fails, unplug the saw from the power supply and free the disc, slightly wedge the cut;
- If in the process scraps hit the gap between the disc and the casing, disconnect the saw from the power supply and remove the trim with a wire hook;
- Avoid impacts to the saw body, as well as falling the saw on hard surfaces;
- Protect the saw from external heat sources, as well as from the ingress of liquids and foreign objects inside;
- Ensure effective saw cooling and removal of machining products from the cutting zone. Do not block or obstruct the hole for ejection of sawdust in the fixed case and ventilation openings in the machine housing;
- Control the heating of the gearbox and the electric motor, monitor the condition of the saw blade. In case of destruction of disc blades or breakage of teeth replace saw blade in a timely manner.

At the end of the work

- disconnect the tool from the power supply, making sure the switch is in the off position;
- clean the machine and its accessories from dust;
- carefully fold the power cord to prevent damage to the cutting edges of the saw blade.

Recommendations for use

Use blanks of dry clean wood, free of nails, screws and other metal objects.

Before you start processing the workpiece, you must fix it, especially if it is lightweight. Never hold the workpiece with your hand – unintended touch of a rotating knife drum instantly causes serious injury.

Move the saw forward evenly, providing feed, at which the engine speed will fall. Thus, the highest of quality processing is achieved and machine overload is prevented.

Do not overheat the exterior of the machine during prolonged use. In case of excessive heating, stop working, let the machine work without load for 1 ... 2 minutes to cool the engine, turn off the engine and take a break till the case is cooled.

Do not allow the machine to work when there is unwanted or unusual noise in the engine or mechanism. If noise appears, turn off the machine and contact an authorized service.

Do not operate the machine when visible flashes appear in the engine ventilation openings, stop working and contact the service center for diagnostics and, possibly, replacement of carbon brushes.

Use saw blades with the number of teeth and type of sharpening designed to handle the appropriate type of material. Consider that more teeth increase the purity of the cut and reduce the permissible feed rate. Sharpening tooth shape with a negative rake angle allows to reduce the number of chips on the treated surface (for example, when processing laminated blanks).

EN

NOISE AND VIBRATION

Noise and vibration characteristics are given in the table №1.

However, if the Electrical Rotary Hammer will be used for other work with the use of working tools, not provided by the manufacturer, or maintenance will not meet the requirements, then the vibration level may be different.



ATTENTION!
Always use personal hearing protection.

MAINTENANCE



ATTENTION!
Before starting maintenance and adjustment of the tool unplug the power cord from the power outlet.

If you have noticed a decrease in the speed of equipment or extraneous noise when working, it is necessary to hand over the plane to the service center for its repair;

Working tool maintenance

The use of the worn working tool (discs) reduces the effectiveness of the work and may result in motor failure, it is therefore necessary to periodically replace worn out tooling as soon as this becomes necessary. Reducing the sharpness of the cutting elements of the disk, their partial destruction or breakage are clear signs that it is time to change the disk;

Electric motor care

It is necessary to be especially careful with the electric motor, to prevent the ingress of liquids and foreign objects into the case. Keep the air vents clean, blow them regularly with compressed air or clean them with a brush. In case of noticeable sparks in the ventilation holes of the motor housing, contact an authorized service center for diagnostics and, possibly, replacement of carbon brushes.

In case of any damage to the power cord, immediately turn off the machine; carefully, without touching the damaged points, unplug it from the mains.



ATTENTION!

Circular saws use power cord with mounting type Y: for security it must be replaced by authorized repair shop personnel.

POSSIBLE FAULTS

Fault	Probable cause	Elimination method
The tool does not turn on.	Broken power cord or mounting wire, power cord malfunction.	Call the service center.
	Faulty switch.	Call the service center.
	Brush wear.	Call the service center.
Formation of a circular light on the collector.	Fault in the armature winding.	Call the service center.
	Wearout / "hang " of brushes.	Call the service center.
When working smoke or smell of burning insulation is generated from the vent.	Interturn closure of armature or stator windings.	Call the service center.
	Malfunction of the electrical part of the instrument.	Call the service center.
Increased machine vibration.	Damage or deformation of the sole.	Call the service center to replace the sole.
	Faulty or improperly installed saw blade.	Replace or reinstall a saw blade.

EN

Maintenance is carried out in specialized service centers. The list of service centers is presented on the website <http://ipsremont.ru/kontakty/>.

RECYCLING

A tool, developed a designated service life, must be recycled according the rules established by environmental and other laws of the country, where the tool is operated.

STORAGE

During the assigned service life, store the machine in a dry heated room. Recommended storage temperature is from 0 °C to +40 °C. Store the tool in the original packaging.

Before placing the drill in storage remove the working tool.

TRANSPORTATION

During the transportation direct exposure of precipitation, direct sunlight, heat and shock is not allowed. Transportation should be carried out only in the original packaging at temperature from - 20 °C to + 40 °C.

LIFE TIME

Average product life time is 5 years if the customer follows the rules of operation.

WARRANTY OBLIGATIONS

The product is covered by the manufacturer's warranty.

The warranty period is specified in the warranty card and calculated from the date of sale. Terms of warranty service are given in the warranty card.

Manufacturer: Keystone Electrical (Zhejiang) Co., Ltd. 1158 South Longqian Street, Wucheng district, Jinhua, Zhejiang.

Made in China.

EN

The Circular Saw conforms to the specifications if the following directives and harmonized standards:

EC Council Directive 2006/42/EC

2014/30/EU

2011/65/EU

2002/49/EO

EN 62841-1:2015

EN 62841-2-5:2014

AfPS GS 2019:01 PAK

EN 55104-1:2017

EN 55104-2:2015

EN IEC 61000-3-2:2019

EN 61000-3-3:2013/A1:2019







СОДЕРЖАНИЕ

ОПИСАНИЕ СИМВОЛОВ	14
НАЗНАЧЕНИЕ	14
КОМПЛЕКТАЦИЯ	14
ТЕХНИЧЕСКИЕ ХАРАКТЕРИСТИКИ	14
ОБЩИЕ ПРАВИЛА БЕЗОПАСНОСТИ ПРИ РАБОТЕ С ЭЛЕКТРОИНСТРУМЕНТАМИ.....	15
УСТРОЙСТВО.....	18
ЭКСПЛУАТАЦИЯ	19
ШУМ И ВИБРАЦИЯ.....	22
ОБСЛУЖИВАНИЕ	22
ВОЗМОЖНЫЕ НЕИСПРАВНОСТИ И СПОСОБЫ ИХ УСТРАНЕНИЯ.....	23
УТИЛИЗАЦИЯ	23
ХРАНЕНИЕ	23
ТРАНСПОРТИРОВКА.....	24
СРОК СЛУЖБЫ.....	24
ГАРАНТИЙНЫЕ ОБЯЗАТЕЛЬСТВА.....	24
ИМПОРТЕР	24

Уважаемый покупатель!

Данное изделие является технически сложным. Перед первым запуском внимательно изучите настоящее руководство по эксплуатации и строго соблюдайте все меры предосторожности! Их несоблюдение может привести к опасным для жизни травмам! Конструкция устройства постоянно совершенствуется, поэтому возможны некоторые изменения, не отраженные в настоящем руководстве и не ухудшающие эксплуатационные качества изделия.

ОПИСАНИЕ СИМВОЛОВ

	ВНИМАНИЕ! Означает потенциально опасную ситуацию, которая может привести к получению травмы или порче оборудования.
	Риск поражения электрическим током.
	Огнеопасность!
	ВНИМАНИЕ! Внимательно прочтите руководство по эксплуатации для снижения риска получения травмы.

НАЗНАЧЕНИЕ

Пила циркулярная электрическая ручная (далее по тексту «пила», «машина», «инструмент») предназначена для выполнения продольных и поперечных прямых резов, резов под углом в древесине и материалах, производных из древесины.

Машина предназначена для эксплуатации при температуре окружающей среды от 0 °С до 40 °С, относительной влажности воздуха не более 80%, при отсутствии прямого воздействия атмосферных осадков и чрезмерной запыленности воздуха.

Машина относится к бытовому классу инструмента и должна эксплуатироваться в повторно-кратковременном режиме с наработкой до 20 часов в месяц. Рекомендуется эксплуатация с нагрузкой, не превышающей номинальную, в течение 15-20 минут и последующим перерывом 5-10 минут. Такой режим эксплуатации позволяет эффективно выполнять все задачи, возникающие в быту, и предохраняет инструмент от преждевременного выхода из строя.

Настоящее руководство содержит сведения и требования, необходимые и достаточные для надежной, эффективной и безопасной эксплуатации инструмента.

В связи с постоянной деятельностью по совершенствованию инструмента изготовитель оставляет за собой право вносить в его конструкцию незначительные изменения, не отраженные в настоящем руководстве и не ухудшающие его потребительские и эксплуатационные свойства, безопасность и эффективность работы.

КОМПЛЕКТАЦИЯ

В комплект поставки входит:

- | | |
|---|-------|
| 1. Пила циркулярная | 1 шт. |
| 2. Ключ для снятия диска | 1 шт. |
| 3. Параллельная направляющая | 1 шт. |
| 4. Пильный диск по дереву (установлен на пиле) | 1 шт. |
| 5. Инструкция по эксплуатации и гарантийный талон | 1 шт. |
| 6. Коробка | 1 шт. |

ТЕХНИЧЕСКИЕ ХАРАКТЕРИСТИКИ

Таблица 1

Артикул / Модель	27301 / CS-165
Потребляемая мощность, Вт	1200
Диаметр пильного диска, мм	165
Частота вращения шпинделя диска, мин ⁻¹	5500

Артикул / Модель	27301 / CS-165
Максимальная глубина пропила под углом 90°, мм	55
Максимальная глубина пропила под углом 45°, мм	36
Диапазон регулировки наклона основания	0...45
Материал основания	Сталь
Блокировка шпинделя	+
Защита от случайного пуска	+
Лазерный указатель линии пропила	-
Возможность подключения к пылесосу	+
Диаметр посадочного отверстия диска, мм	20
Количество зубьев диска	24
Толщина диска по рабочей части, мм	3
Напряжение сети питания, В~ Гц	230~ 50
Длина кабеля питания, м	3
Степень защиты от проникновения предметов и жидкости	IP20
Уровень звукового давления (L_{pA}), дБ(А)	92,7
Неопределенность уровня звукового давления (L_{pA}), дБ(А)	3
Уровень звуковой мощности (L_{wA}), дБ(А)	103
Неопределенность уровня звуковой мощности (L_{wA}), дБ(А)	3
Уровень вибрации (a_r), м/с ²	4,7
Неопределенность уровня вибрации (a_r), м/с ²	1,5
Степень защиты от поражения электрическим током	II
Масса изделия нетто, кг	3,2
Масса изделия брутто, кг	3,6

ОБЩИЕ ПРАВИЛА БЕЗОПАСНОСТИ ПРИ РАБОТЕ С ЭЛЕКТРОИНСТРУМЕНТАМИ



ВНИМАНИЕ!

Перед началом работы внимательно прочтите все правила безопасности и инструкции. Несоблюдение всех перечисленных ниже правил безопасности и инструкций может привести к поражению электрическим током, возникновению пожара и/или получению тяжелой травмы.

Сохраните все правила безопасности и инструкции для последующего использования

Термин «Электроинструмент» во всех приведенных ниже указаниях относится к вашему сетевому (с кабелем) или аккумуляторному (беспроводному) электроинструменту.

Безопасность рабочего места

- а) Содержите рабочее место в чистоте и обеспечьте хорошее освещение. Плохое освещение или беспорядок на рабочем месте могут привести к несчастному случаю.

- б) Не используйте электроинструменты, если есть опасность возгорания или взрыва, например, вблизи легковоспламеняющихся жидкостей, газов или пыли. В процессе работы электроинструменты создают искровые разряды, которые могут воспламенить пыль или горючие пары.
- в) Во время работы с электроинструментом не подпускайте близко детей или посторонних лиц. Отвлечение внимания может вызвать у вас потерю контроля над рабочим процессом.

Электробезопасность

- а) Вилка кабеля электроинструмента должна соответствовать штепсельной розетке. Ни в коем случае не изменяйте вилку электрического кабеля. Не используйте соединительные штепсели-переходники, если в силовом кабеле электроинструмента есть провод заземления. Использование оригинальной вилки кабеля и соответствующей ей штепсельной розетки уменьшает риск поражения электрическим током.
- б) Во время работы с электроинструментом избегайте физического контакта с заземленными объектами, такими как трубопроводы, радиаторы отопления, электроплиты и холодильники. Риск поражения электрическим током увеличивается, если ваше тело заземлено.
- в) Не используйте электроинструмент под дождем или во влажной среде. Попадание воды в электроинструмент увеличивает риск поражения электрическим током.
- г) Бережно обращайтесь с электрическим кабелем. Ни в коем случае не используйте кабель для переноски электроинструмента или для вытягивания его вилки из штепсельной розетки. Не подвергайте электрический кабель воздействию высоких температур и смазочных веществ, держите его в стороне от острых кромок и движущихся частей инструмента. Поврежденный или запутанный кабель увеличивает риск поражения электрическим током.
- д) При работе с электроинструментом на открытом воздухе используйте удлинительный кабель, предназначенный для наружных работ. Использование кабеля, пригодного для работы на открытом воздухе, снижает риск поражения электрическим током.
- е) При необходимости работы с электроинструментом во влажной среде используйте источник питания, оборудованный устройством защитного отключения (УЗО). Использование УЗО снижает риск поражения электрическим током.



ВНИМАНИЕ!

Рекомендуется использование устройства защитного отключения (УЗО) с током срабатывания не более 30 мА.

Личная безопасность

- а) При работе с электроинструментами будьте внимательны, следите за тем, что вы делаете, и руководствуйтесь здравым смыслом. Не используйте электроинструмент, если вы устали, а также находясь под действием алкоголя или понижающих реакцию лекарственных препаратов и других средств. Малейшая неосторожность при работе с электроинструментами может привести к серьезной травме.
- б) При работе используйте средства индивидуальной защиты. Всегда надевайте защитные очки. Своевременное использование защитного снаряжения, а именно: пылезащитной маски, ботинок на нескользящей подошве, защитного шлема или противошумовых наушников – значительно снизит риск получения травмы.
- в) Не допускайте непреднамеренного запуска. Перед тем как подключить электроинструмент к сети и/или аккумулятору, поднять или перенести его, убедитесь, что выключатель находится в положении «Выключено». Не переносите электроинструмент с нажатым курковым выключателем и не подключайте к сетевой розетке электроинструмент, выключатель которого установлен в положение «Включено», это может привести к несчастному случаю.
- г) Перед включением электроинструмента снимите с него все регулировочные или гаечные ключи. Регулировочный или гаечный ключ, оставленный закрепленным на вращающейся части электроинструмента, может стать причиной тяжелой травмы.
- д) Работайте в устойчивой позе. Всегда сохраняйте равновесие и устойчивую позу. Это позволит вам не потерять контроль при работе с электроинструментом в непредвиденной ситуации.

- е) Одевайтесь соответствующим образом. Во время работы не надевайте свободную одежду или украшения. Следите за тем, чтобы ваши волосы, одежда или перчатки находились в постоянном отдалении от движущихся частей инструмента. Свободная одежда, украшения или длинные волосы могут попасть в движущиеся части инструмента.
- ж) Если электроинструмент снабжен устройством сбора и удаления пыли, убедитесь, что данное устройство подключено и используется надлежащим образом. Использование устройства пылеудаления значительно снижает риск возникновения несчастного случая, связанного с запыленностью рабочего пространства.

Использование электроинструментов и технический уход

- а) Не перегружайте электроинструмент. Используйте ваш инструмент по назначению. Электроинструмент работает надежно и безопасно только при соблюдении параметров, указанных в его технических характеристиках.
- б) Не используйте электроинструмент, если его выключатель не устанавливается в положение включения или выключения. Электроинструмент с неисправным выключателем представляет опасность и подлежит ремонту.
- в) Отключайте электроинструмент от сетевой розетки и/или извлекайте аккумулятор перед регулированием, заменой принадлежностей или при хранении электроинструмента. Такие меры предосторожности снижают риск случайного включения электроинструмента.
- г) Храните неиспользуемые электроинструменты в недоступном для детей месте и не позволяйте лицам, не знакомым с электроинструментом или данными инструкциями, работать с электроинструментом. Электроинструменты представляют опасность в руках неопытных пользователей.
- д) Регулярно проверяйте исправность электроинструмента. Контролируйте точность совмещения и легкость перемещения подвижных частей, целостность деталей и любых других элементов электроинструмента, воздействующих на его работу. Не используйте неисправный электроинструмент, пока он не будет полностью отремонтирован. Большинство несчастных случаев являются следствием недостаточного технического ухода за электроинструментом.
- е) Следите за остротой заточки и чистотой режущих принадлежностей. Принадлежности с острыми кромками позволяют избежать заклинивания и делают работу менее утомительной.
- ж) Используйте электроинструмент, аксессуары и насадки в соответствии с данным руководством и с учетом рабочих условий и характера будущей работы. Использование электроинструмента не по назначению может создать опасную ситуацию.

Техническое обслуживание

Ремонт вашего электроинструмента должен производиться только квалифицированными специалистами с использованием оригинальных запасных частей. Это обеспечит безопасность и надежность электроинструмента в дальнейшей эксплуатации.

Дополнительные меры безопасности при использовании циркулярных пил

- а) Перед началом работы убедитесь в отсутствии на рабочем месте посторонних предметов.
- б) Не допускайте попадания рук в зону пиления и не прикасайтесь к пильному диску. Всегда держитесь за дополнительную рукоятку пилы. При удержании пилы обеими руками вы будете защищены от пореза пильным диском.
- в) Не держите руки ниже обрабатываемого изделия. Кожух не обеспечивает защиту от пореза пильным диском снизу обрабатываемой детали.
- г) Отрегулируйте глубину пропила в зависимости от толщины обрабатываемой детали. При обработке пильный диск должен выступать не более чем на полную высоту зуба.
- д) Никогда не держите обрабатываемую заготовку в руках или на коленях. Необходимо закреплять заготовку на устойчивой подставке или верстаке. Данное условие является обязательным для снижения вероятности получения травм при контакте с пильным диском или его заклинивании.
- е) При выполнении продольного распила всегда применяйте упор или прямую направляющую планку. Это уменьшит вероятность заклинивания пильного диска и улучшит точность пропила.

- ж) Необходимо использовать пильные диски, предназначенные для данной модели инструмента, с соответствующими наружным и посадочным диаметрами. Использование различных адаптеров приводит к повышенной вибрации, снижению качества обработки и увеличению риска получения травмы.
- з) Никогда не используйте поврежденные или неверно подобранные крепежные элементы (винты, фланцы, прижимные шайбы и т.п.) для пильного диска. Данные элементы сконструированы специально для этой модели пилы с целью получения оптимальных технических характеристик и безопасной работы.
- и) Инструмент не предназначен для стационарной работы, нет возможности установки на пильный стол.
- к) Не используйте пильные диски из быстрорежущей стали. При эксплуатации пилы такие диски могут легко ломаться и стать причиной тяжелой травмы.
- л) Держите шнур питания в стороне от вращающегося пильного диска. Если вы потеряете контроль над электрической машиной, то шнур питания может быть перерезан или захвачен вращающейся оснасткой.
- м) Следите за исправным состоянием двигателя. В случае появления нехарактерного шума, запаха горелой изоляции, искр и т.п. следует немедленно выключить инструмент и обратиться в сервисный центр.

RU

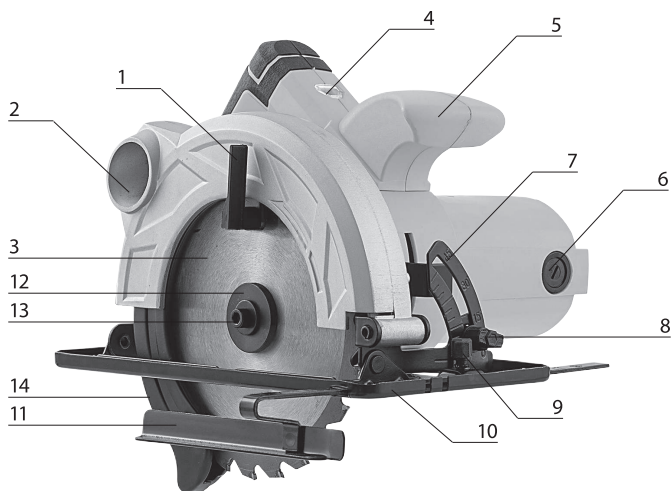
Остаточные риски

Несмотря на соблюдение соответствующих инструкций по технике безопасности и использование предохранительных устройств, некоторые остаточные риски невозможно полностью исключить. К ним относятся:

- риск защемления пальцев при смене оснастки;
- травмы в результате касания острых кромок оснастки;
- ущерб здоровью в результате воздействия вибрации и шума, возникающих при работе.

УСТРОЙСТВО

Общий вид машины представлен на рис. 1.



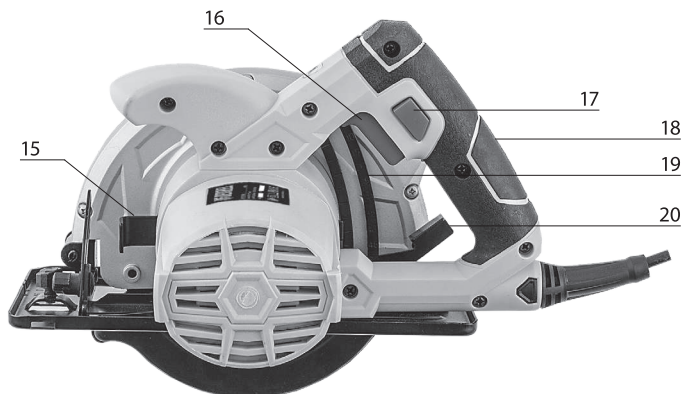


Рис. 1

- | | |
|-----------------------------------|---------------------------------------|
| 1. Рукоятка защиты | 11. Направляющая параллельная |
| 2. Отверстие выброса опилок | 12. Фланец наружный |
| 3. Диск пильный | 13. Винт фиксирующий |
| 4. Индикатор включения | 14. Защита |
| 5. Рукоятка дополнительная | 15. Кнопка блокировки шпинделя |
| 6. Пробка щеткодержателя | 16. Клавиша выключателя |
| 7. Шкала регулировки угла наклона | 17. Кнопка блокировки |
| 8. Винт регулировки угла наклона | 18. Рукоятка основная |
| 9. Винт параллельной направляющей | 19. Шкала глубины пропила |
| 10. Подошва | 20. Рычаг регулировки глубины пропила |

Описание

Пила циркулярная электрическая ручная состоит из основания, режущего узла и привода. Режущий узел шарнирно закреплен на основании, что позволяет регулировать глубину и угол наклона пропила. Приводом режущего узла является коллекторный двигатель переменного тока, расположенный в корпусе, изготовленном из высокопрочной пластмассы.

Для обеспечения безопасности машина оборудована подвижным защитным кожухом, закрывающим пильный диск. Также имеется индикатор подключения к сети питания, показывающий готовность к включению двигателя. Клавиша выключателя оборудована блокировкой, снижающей вероятность случайного включения.

ЭКСПЛУАТАЦИЯ



ВНИМАНИЕ!

Перед работами по подготовке к эксплуатации, настройке, техническому обслуживанию электроинструмента всегда отключайте питающий кабель от электросети.



ВНИМАНИЕ!

После транспортировки в зимних условиях перед включением необходимо выдержать машину при комнатной температуре до полного высыхания конденсата.

Сборка

Пила поставляется в собранном виде. Для установки пильного диска на изделие отведите защиту с помощью рукоятки 1 (рис. 1). Нажмите кнопку блокировки шпинделя 15 (рис. 1) и удерживайте ее. Затем с помощью шестигранного ключа, входящего в комплект, выверните винт 13 (рис. 1) и снимите наружный фланец крепления диска 12 (рис. 1).

Установите пильный диск на внутренний фланец таким образом, чтобы направление стрелки, указывающей направление вращения на диске, совпадало с направлением стрелки на кожухе пилы. Убедитесь, что диск установлен на буртик фланца без зазора и не перемещается в радиальном направлении. Установите наружный фланец и зафиксируйте его винтом 13 (рис. 1), предварительно нажав и удерживая кнопку блокировки шпинделя. Произведите тестовое включение пилы, убедитесь в отсутствии вибрации.

Регулировка глубины и угла наклона пропила

Для регулировки глубины пропила поверните рычаг 20 (рис. 1) против часовой стрелки относительно его оси. Удерживая пилу за основную рукоятку 18 (рис. 1) и ориентируясь на шкалу 19 (рис. 1), установите требуемую глубину пропила, перемещая вниз заднюю часть опорной подошвы пилы. При распиловке листового материала рекомендуется устанавливать глубину пропила, соответствующую толщине заготовки плюс 5...7 мм. Зафиксируйте выбранную глубину пропила, затянув рычаг 20 (рис. 1) поворотом по часовой стрелке.

Для регулировки угла наклона поверните винт регулировки угла наклона 8 (рис. 1) против часовой стрелки и, ориентируясь на шкалу 7 (рис. 1), установите требуемый угол наклона, перемещая опорную подошву. Зафиксируйте выбранное положение, затянув винт 8 (рис. 1) поворотом по часовой стрелке.

Подключение к сети



ВНИМАНИЕ!

Перед подключением к сети убедитесь в целостности изделия, отсутствии внешних повреждений. Особое внимание обратите на надежность крепления пильного диска и затяжку винта крепления диска.

Убедитесь, что выключатель питания находится в положении «Выключено».



ВНИМАНИЕ!

Электроинструмент следует подключать только к однофазной сети переменного тока, напряжение которой соответствует напряжению, указанному на табличке характеристик, размещенной на корпусе инструмента. Если на табличке характеристик указано напряжение 230 В, то электроинструмент также можно включать в сеть напряжением 220 В.

При работе на улице используйте удлинители промышленного изготовления, предназначенные для использования вне помещений. Не используйте самодельные удлинители. При работе вне помещений подключайте электроинструмент к цепи питания, снабженной дифференциальным автоматом с током срабатывания не более 30 мА, это снизит вероятность удара электрическим током.

При подключении убедитесь в целостности изоляции электрического кабеля и сетевой вилки машины. Убедитесь, что выключатель питания машины находится в положении «Отключено».

Данный электроинструмент можно подключать к розеткам, не имеющим защитного заземления, поскольку он имеет двойную изоляцию (класс защиты II).

При подключении к сети питания, вне зависимости от положения выключателя двигателя, должен светиться индикатор 4 (рис. 1), свидетельствующий о готовности инструмента к работе.

Включение циркулярной пилы



ВНИМАНИЕ!

Во избежание выхода из строя инструмента перед включением двигателя убедитесь, что диск не находится в контакте с заготовкой.

Для включения пилы нажмите и удерживайте кнопку блокировки выключателя 17 (рис. 1), после чего нажмите клавишу выключателя 16 (рис.1). Учитывайте, что при включении двигателя может возникнуть рывок. Для выключения двигателя отпустите клавишу выключателя 16 (рис. 1).

Во время работы

- включайте циркулярную пилу только при условии отсутствия контакта пильного диска и обрабатываемой заготовки. Дайте двигателю развить максимальную частоту вращения, после этого плавно произведите врезание в обрабатываемый материал, контролируя направление реза;
- при выполнении реза держите пилу ровно обеими руками за рукоятки, плотно прижимая направляющую подошву к поверхности распиливаемого материала. Следите за равномерностью рабочей подачи, отсутствием боковых усилий и заклинивания диска;
- при выполнении длинных прямых резов листового материала (фанера, древесные плиты) рекомендуется использовать параллельную направляющую из комплекта поставки или ровный плоский предмет, прикрепляемый к заготовке струбцинами. Это увеличит качество реза и снизит вероятность заклинивания диска;
- выводить диск из пропила следует после его остановки. В случае заклинивания диска в пропиле выключите пилу и полностью выведите диск из пропила. Если сделать это не удастся, отсоедините пилу от сети электропитания и освободите диск, слегка расклинив пропил;
- если в процессе работы обрезки попали в зазор между диском и кожухом, отсоедините пилу от сети электропитания и удалите обрезки с помощью проволочного крюка;
- не допускайте ударов по корпусу, а также падения пилы на твердые поверхности;
- оберегайте пилу от воздействия внешних источников тепла, а также от попадания жидкостей и посторонних предметов внутрь;
- обеспечьте эффективное охлаждение пилы и отвод продуктов обработки из зоны резания. Не перекрывайте и не загораживайте отверстие для выброса опилок в неподвижном кожухе и вентиляционные отверстия в корпусе машины;
- контролируйте нагрев редуктора и электродвигателя, следите за состоянием пильного диска. В случае разрушения режущих пластин диска или поломки зубьев своевременно заменяйте пильный диск.

По окончании работы

- отключите машину от электросети, убедившись, что выключатель находится в положении «Выключено»;
- очистите пилу и ее дополнительные принадлежности от пыли;
- аккуратно сверните шнур питания для исключения возможности его повреждения об режущие кромки пильного диска.

Рекомендации по эксплуатации

Используйте заготовки из сухой чистой древесины, свободные от гвоздей, шурупов и других металлических предметов.

Перед тем как начать обрабатывать заготовку, необходимо надежно закрепить ее, особенно если она имеет малый вес. Никогда не держите заготовку рукой: непреднамеренное касание вращающегося пильного диска мгновенно приводит к серьезной травме.

Перемещайте пилу вперед равномерно, обеспечивая подачу, при которой частота вращения двигателя будет падать незначительно. Таким образом, достигается наибольшее качество обработки и предупреждается перегрузка машины.

Не допускайте перегрева наружных частей машины при длительной работе. При чрезмерном нагреве прекратите работу, дайте машине поработать без нагрузки в течение 1...2 минут для охлаждения двигателя, выключите двигатель и сделайте перерыв до остывания корпуса.

Не допускайте работу машины при появлении посторонних или нехарактерных шумов в двигателе или механизме. При появлении шумов выключите машину и обратитесь в авторизованный сервис.

Не допускайте работу машины при появлении видимых вспышек в вентиляционных отверстиях двигателя, в этом случае прекратите работу и обратитесь в сервисный центр для диагностики и, возможно, замены угольных щеток.

Используйте пильные диски с соответствующим количеством зубьев и типом заточки, предназначенные для обработки определенного типа материала. Учитывайте, что большее количество зубьев увеличивает чистоту получаемого среза и уменьшает допустимую скорость подачи. Форма заточки зуба с отрицательным передним углом позволяет снизить количество сколов на обрабатываемой поверхности (например, при обработке ламинированных заготовок).

ШУМ И ВИБРАЦИЯ

Шумовые и вибрационные характеристики приведены в таблице 1.

Однако если машина будет использована для выполнения других работ с применением оснастки, не предусмотренной изготовителем, или техническое обслуживание не будет отвечать предписаниям, то уровень вибрации может быть иным.



ВНИМАНИЕ!

Всегда применяйте средства индивидуальной защиты органов слуха.

RU

ОБСЛУЖИВАНИЕ



ВНИМАНИЕ!

Перед началом работ по обслуживанию машины отсоедините вилку шнура питания от штепсельной розетки.

Если вы заметили снижение частоты вращения оснастки или посторонний шум при работе, то необходимо сдать устройство в центр технического обслуживания для его диагностики и ремонта.

Обслуживание оснастки

Использование изношенного сменного инструмента (дисков) снижает эффективность выполняемой работы и может привести к выходу из строя двигателя. Поэтому необходимо периодически заменять износившуюся оснастку, как только в этом появляется необходимость. Снижение остроты режущих элементов диска, их частичное разрушение или поломка – это явные признаки необходимости замены диска.

Уход за электродвигателем

Необходимо особенно бережно относиться к электродвигателю, не допускать попадания жидкостей и посторонних предметов внутрь корпуса. Следите за чистотой вентиляционных отверстий, регулярно продувайте их сжатым воздухом или очищайте щеткой. При появлении заметных искр в вентиляционных отверстиях корпуса двигателя обратитесь в авторизованный сервисный центр для диагностики и, возможно, замены угольных щеток.

В случае любого повреждения шнура питания немедленно выключите машину, аккуратно, не касаясь мест повреждения, отключите ее от электросети.



ВНИМАНИЕ!

В машинах используется шнур питания с креплением типа Y: в целях безопасности его замену должен осуществлять персонал уполномоченных ремонтных мастерских.

ВОЗМОЖНЫЕ НЕИСПРАВНОСТИ И СПОСОБЫ ИХ УСТРАНЕНИЯ

Неисправность	Причина	Способ устранения
Инструмент не включается.	Обрыв шнура питания или монтажных проводов, неисправность вилки шнура питания.	Обратиться в сервисный центр.
	Неисправен выключатель.	Обратиться в сервисный центр.
	Износ щеток.	Обратиться в сервисный центр.
Образование кругового огня на коллекторе.	Неисправность в обмотке якоря.	Обратиться в сервисный центр.
	Износ/«зависание» щеток.	Обратиться в сервисный центр.
При работе из вентиляционных отверстий появляется дым или запах горелой изоляции.	Межвитковое замыкание обмоток якоря или статора.	Обратиться в сервисный центр.
	Неисправность электрической части инструмента.	Обратиться в сервисный центр.
Повышенная вибрация машины.	Износ подшипников.	Обратиться в сервисный центр.
	Поврежден или неправильно установлен пильный диск.	Осмотреть и переустановить пильный диск.

RU

Перечень критических отказов

- не использовать при сильном искрении;
- не использовать при появлении сильной вибрации;
- не использовать с перебитым или оголенным электрическим кабелем;
- не использовать при появлении дыма непосредственно из корпуса изделия.

Возможные ошибочные действия персонала

- не использовать с поврежденной рукояткой или поврежденным защитным кожухом;
- не использовать на открытом пространстве во время дождя;
- не включать при попадании воды в корпус.

Критерии предельных состояний

- перетерт или поврежден электрический кабель;
- поврежден корпус изделия.

Действия персонала в случае инцидента или критического отказа

1. Выключить инструмент.
2. Отключить инструмент от электросети.
3. Обратиться в сервисный центр.

УТИЛИЗАЦИЯ

Машина, выработавшая назначенный срок службы, подлежит утилизации в соответствии с правилами, установленными природоохранным и иным законодательством страны, в которой эксплуатируется машина.

ХРАНЕНИЕ

Во время назначенного срока службы храните машину в сухом отапливаемом помещении. Рекомендуемая температура хранения от 0 °C до +40 °C. Храните машину в фирменной упаковке.

ТРАНСПОРТИРОВКА

Во время транспортировки недопустимо прямое воздействие осадков, прямых солнечных лучей, нагрева и ударов. Транспортировка должна осуществляться только в фирменной упаковке при температуре окружающей среды от -20 °С до +40 °С.

Перевозите машину в фирменной упаковке. Перед упаковыванием сверните и зафиксируйте шнур питания.

СРОК СЛУЖБЫ

Средний срок службы изделия при условии соблюдения потребителем правил эксплуатации составляет 5 лет.

ГАРАНТИЙНЫЕ ОБЯЗАТЕЛЬСТВА

На изделие распространяется гарантия производителя.

Период гарантийного обслуживания указан в гарантийном талоне и исчисляется с момента продажи. Правила гарантийного обслуживания приведены в гарантийном талоне.

ИМПОРТЕР

Импортер и продавец в РФ: ООО «МИР ИНСТРУМЕНТА», 142700, РФ, МО, г. Видное, ул. Радиальная 3-я, д. 8, пом. 1-Н, ком. 2; в РК: ТОО «Мир инструмента-Алматы», РК, Алматинская обл., Карасайский р-н, Ельтайский с/о, с. Береке. Телефон: +7 (495) 234-41-30.

Изготовитель: Keystone Electrical (Zhejiang) Co., Ltd. 1158 South Longqian Street, Wucheng district, Jinhua, Zhejiang.

Сделано в Китае.

Продукция соответствует требованиям:

ТР ТС 010/2011 «О безопасности машин и оборудования»,

ТР ТС 020/2011 «Электромагнитная совместимость технических средств»,

ТР ТС 004/2011 «О безопасности низковольтного оборудования»,

ТР ТС 037/2016 «Об ограничении применения опасных веществ

в изделиях электротехники и радиоэлектроники».





Гарантийный талон

срок гарантии 36 месяцев

ВНИМАНИЕ!

Пожалуйста, требуйте от продавца полностью заполнить все поля гарантийного талона.

Наименование изделия:

Серийный номер:

Дата продажи:

Наименование и адрес торговой организации:

Изделие проверено в присутствии потребителя:

Печать торговой организации и подпись продавца:

Благодарим вас за приобретение нашей продукции. Фирма-изготовитель предоставляет на приобретенное вами изделие настоящую гарантию сроком на 36 месяцев со дня продажи.

ВНИМАНИЕ! ИЗДЕЛИЕ В ГАРАНТИЙНУЮ МАСТЕРСКУЮ СДАЕТСЯ В ЧИСТОМ ВИДЕ.

Гарантийные обязательства компании ООО «МИР ИНСТРУМЕНТА»

При покупке изделия требуйте проверки его комплектности и исправности в вашем присутствии, инструкцию по эксплуатации на русском языке и заполненный гарантийный талон.

Перед началом работы с данным изделием следует внимательно ознакомиться с инструкцией по эксплуатации. Все условия гарантии соответствуют действующему законодательству РФ.

Гарантийный срок на данное изделие составляет 36 месяцев и исчисляется со дня продажи конечному потребителю.

На аккумуляторные батареи, входящие в комплект поставки инструмента, а также на продающиеся отдельно гарантийный срок составляет 12 месяцев.

В случае устранения недостатков товара гарантийный срок на него продлевается на период, в течение которого товар находился в ремонте. Указанный период исчисляется со дня обращения потребителя с требованием об устранении недостатков товара до дня выдачи его по окончании ремонта.

Гарантийные обязательства распространяются только на неисправности, выявленные в течение гарантийного срока и обусловленные производственными или конструктивными факторами.

Гарантия не распространяется:

- Если детали были подвержены рабочему и другим видам естественного износа, а также при неисправности инструмента, вызванной данными видами износа.
- На неисправности инструмента, вызванные несоблюдением инструкций по эксплуатации или произошедшие в результате использования инструмента не по назначению, во время использования при неблагоприятных условиях окружающей среды, ненадлежащих производственных условиях, вследствие перегрузок или недостаточного, ненадлежащего технического обслуживания или ухода, в том числе при засорении топливной системы, самостоятельной регулировке карбюратора, работе при пониженном или повышенном напряжении питающей сети.
- При использовании изделия в условиях высокой интенсивности работ и сверхтяжелых нагрузок. К безусловным признакам перегрузки изделия относятся, помимо прочих, появление цветов побежалости, деформация или оплавление деталей и узлов изделия, потемнение или обугливание изоляции проводов под воздействием высокой температуры, коробление деталей и корпуса двигателя.
- На механические повреждения (трещины, сколы и т.д.) и повреждения, вызванные воздействием агрессивных сред, высокой влажности и высоких температур, попаданием инородных предметов в вентиляционные отверстия электроинструмента, а также повреждения, наступившие вследствие коррозии металлических частей и неправильного хранения.
- На естественный износ принадлежностей, быстроизнашивающихся частей и расходных материалов, таких как свечи зажигания, ручные стартеры ДВС, фильтры, приводные ремни, направляющие ролики, резиновые амортизаторы, уплотнители, прокладки, сальники, манжеты и другие РТИ, шины колес, защитные кожухи, пыльные цепи, пыльные шины, ведущие и ведомые звездочки, крыльчатки насосов, лески и головки для триммера, кабели питания, сварочные кабели, зажимы массы и электрододержатели, шланги, моечные пистолеты, форсунки, пенокомплекты, цанги, патроны, подошвы, угольные щетки, стволы перфораторов, ножи, пилки, абразивы, сверла, буры и т.п.
- При наличии следов вскрытия, ремонта или модификации инструмента вне уполномоченного сервисного центра.
- На повреждения и дефекты, вызванные неблагоприятными атмосферными и иными внешними воздействиями на изделие, такими как дождь, снег, повышенная влажность, нагрев, агрессивные среды, стихийное бедствие.
- В случае использования принадлежностей, расходных материалов и запасных частей, ГСМ, не рекомендованных производителем.
- На профилактическое и техническое обслуживание изделия, например: регулировку, чистку, смазку, замену расходных материалов и другие виды работ, не связанные с производственным дефектом.

Средний срок службы изделия – 5 лет.

Устранение неисправностей, признанных как гарантийный случай, осуществляется на выбор компании посредством ремонта или замены неисправного инструмента на новый (возможно, на модель следующего поколения). Замененные инструменты и детали переходят в собственность компании.

Гарантийные претензии принимаются в течение гарантийного срока. Для этого необходимо предъявить или отправить неисправный инструмент в сервисный центр (адреса и контактные данные указаны на сайте ipsremont.ru) или в торговую точку по месту приобретения товара, приложив заполненный гарантийный талон, подтверждающий дату покупки товара и его наименование. Инструмент, направленный в торговую точку или в сервисный центр в частично или полностью разобранном виде, под действие гарантии не подпадает. Все риски по пересылке инструмента в торговую точку или в сервисный центр несет владелец инструмента. Другие претензии, кроме упомянутого права на бесплатное устранение недостатков инструмента, под действие гарантии не подпадают.

С уважением, компания ООО «МИР ИНСТРУМЕНТА»

Изделие проверялось в моем присутствии, исправно, укомплектовано, внешний вид без повреждений. Всю необходимую для использования данного изделия информацию и руководство от продавца получил, с условиями гарантии ознакомлен и согласен, правильность заполнения гарантийного талона проверил.

_____ Подпись покупателя

Адреса и телефоны сервисных центров вы можете найти на сайте www.ipsremont.ru или уточнить в филиалах компании ООО «МИР ИНСТРУМЕНТА». Адреса и телефоны филиалов указаны на официальном сайте компании ООО «МИР ИНСТРУМЕНТА» www.instrument.ru.



СВЕДЕНИЯ О РЕМОНТЕ

№1 №1

ОТРЫВНОЙ ТАЛОН



Заполняется сервисным центром

Сервисный наряд №

Дата поступления

Дата выдачи

Наименование сервиса

Исполнитель Ф.И.О.

Печать сервисного центра и подпись ответственного лица

МП

Заполняется продавцом

Наименование изделия

Серийный номер

Дата продажи

МП

Печать торговой организации



СВЕДЕНИЯ О РЕМОНТЕ

№2 №2

ОТРЫВНОЙ ТАЛОН



Заполняется сервисным центром

Сервисный наряд №

Дата поступления

Дата выдачи

Наименование сервиса

Исполнитель Ф.И.О.

Печать сервисного центра и подпись ответственного лица

МП

Заполняется продавцом

Наименование изделия

Серийный номер

Дата продажи

МП

Печать торговой организации



СВЕДЕНИЯ О РЕМОНТЕ

№3 №3

ОТРЫВНОЙ ТАЛОН



Заполняется сервисным центром

Сервисный наряд №

Дата поступления

Дата выдачи

Наименование сервиса

Исполнитель Ф.И.О.

Печать сервисного центра и подпись ответственного лица

МП

Заполняется продавцом

Наименование изделия

Серийный номер

Дата продажи

МП

Печать торговой организации

Заполняется сервисным центром

Сервисный наряд №

Дата поступления

Дата выдачи

Наименование сервиса

Исполнитель Ф.И.О.

Контактная информация пользователя

Ф.И.О.:

Адрес:

Телефон:

Подпись покупателя _____ МП





Заполняется сервисным центром

Сервисный наряд №

Дата поступления

Дата выдачи

Наименование сервиса

Исполнитель Ф.И.О.

Контактная информация пользователя

Ф.И.О.:

Адрес:

Телефон:

Подпись покупателя _____ МП





Заполняется сервисным центром

Сервисный наряд №

Дата поступления

Дата выдачи

Наименование сервиса

Исполнитель Ф.И.О.

Контактная информация пользователя

Ф.И.О.:

Адрес:

Телефон:

Подпись покупателя _____ МП